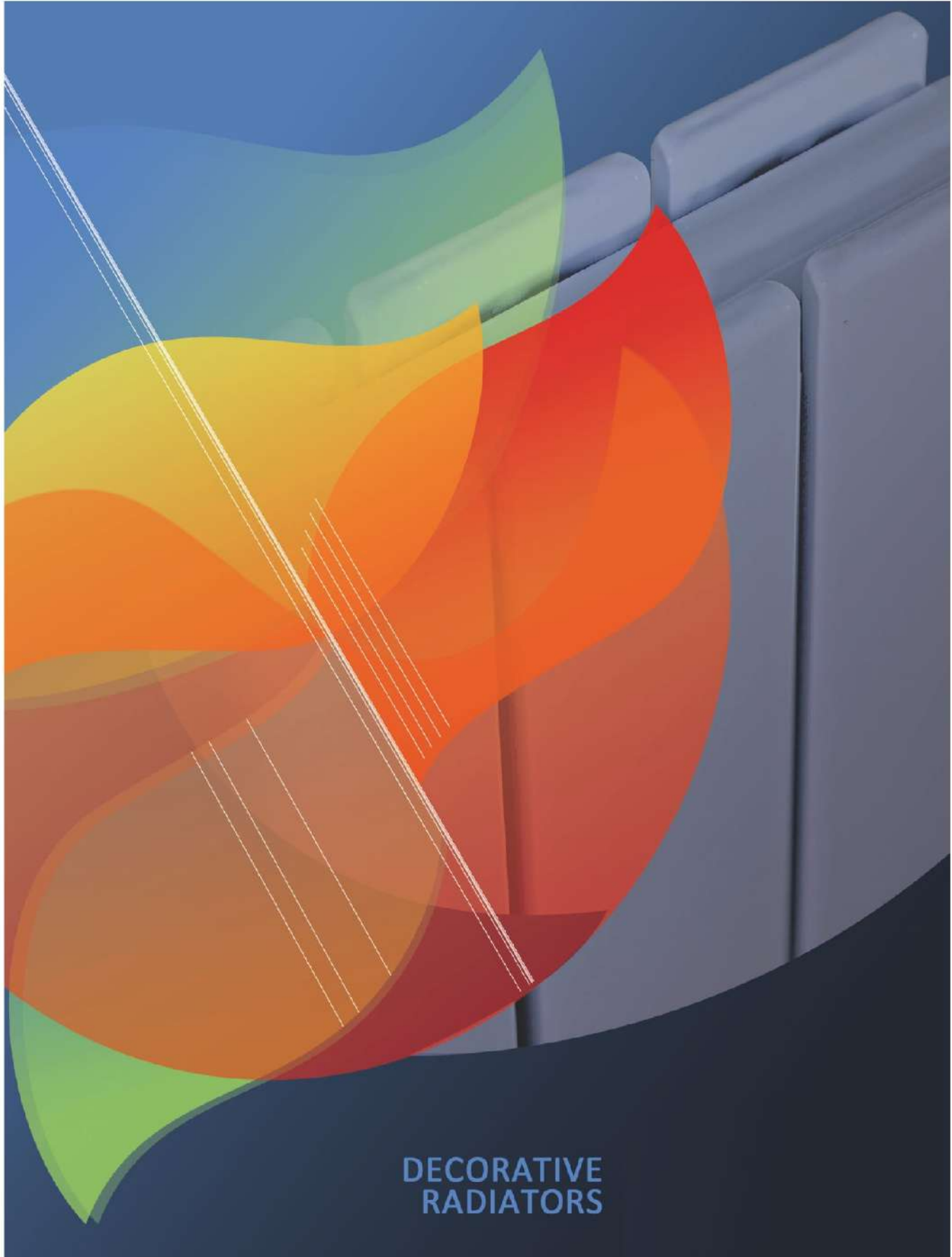




**IMAS** GROUP  
*REAL QUALITY MADE IN ITALY*



DECORATIVE  
RADIATORS

# TYPE 10

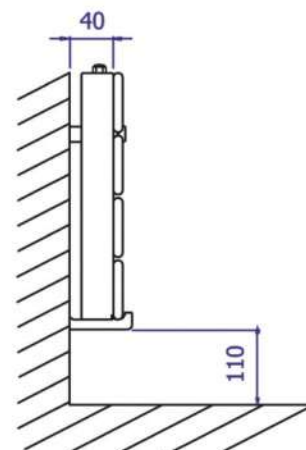
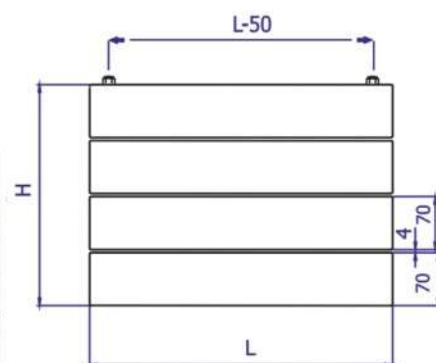
TYPE 10 is a decorative radiator with 70 x 11 mm tubes that are placed horizontally on the front sides of 38 mm diameter collectors. The collectors are positioned vertically on the right and left sides of the radiator. It is designed to fit modest spaces with a fine and elegant look. Depending on your aesthetic and heat output needs, you are welcome to choose from a wide variety of products from 2 elements up to 35 elements and length from 400 mm up to 2600 mm.



## TECHNICAL DATA

- STATE OF THE ART TECHNOLOGY SUPPLIED BY **LEAS**
- MADE FROM HIGH QUALITY STEEL
- COLLECTORS ARE MADE FROM 38 MM DIAMETER PIPES
- 70 X 11 MM ELEMENTS WITH ROUND EDGES
- HEIGHT: BETWEEN 144 MM AND 2586 MM
- LENGTH: BETWEEN 400 MM AND 2600 MM
- DURABLE AND HIGH QUALITY PAINTING: CATAPHORETIC PRIMER & ELECTROSTATIC POWDER PAINTING
- STANDARD COLOR: RAL 9016
- 10 YEAR WARRANTY
- WALL INSTALLATION KIT INCLUDED
- TESTED BY **HLK GERMANY**

Code	Height(H) (mm)	Length(L) (mm)	Number of Elements	Weight (kg)	Water Content(l)	Heat Output EN442 (Watt)			Exponent N
						90/70/20°C	75/65/20°C	55/45/20°C	
10H.218.600	218	600	3	3,5	1,1	213	171	93	1,203
10H.218.1000	218	1000	3	5,4	1,7	355	285	154	1,203
10H.218.1500	218	1500	3	7,7	2,3	532	428	231	1,203
10H.218.1800	218	1800	3	9,1	2,7	639	513	278	1,203
10H.218.2400	218	2400	3	11,9	3,6	852	684	370	1,203
10H.366.600	366	600	5	5,8	1,9	330	266	144	1,194
10H.366.1000	366	1000	5	8,9	2,8	550	443	241	1,194
10H.366.1500	366	1500	5	12,8	3,9	826	664	361	1,194
10H.366.1800	366	1800	5	15,1	4,6	991	797	433	1,194
10H.366.2400	366	2400	7	19,8	5,9	1321	1062	577	1,194
10H.514.600	514	600	7	8,0	2,7	449	362	197	1,186
10H.514.1000	514	1000	7	12,4	3,9	748	603	329	1,186
10H.514.1500	514	1500	7	17,9	5,5	1122	904	493	1,186
10H.514.1800	514	1800	7	21,1	6,4	1347	1085	592	1,186
10H.514.2400	514	2400	7	27,7	8,3	1796	1447	789	1,186
10H.662.600	662	600	9	10,3	3,4	628	454	183	1,775
10H.662.1000	662	1000	9	15,9	5,0	1046	757	306	1,775
10H.662.1500	662	1500	9	22,9	7,1	1569	1135	458	1,775
10H.662.1800	662	1800	9	27,2	8,3	1883	1362	550	1,775
10H.662.2400	662	2400	9	35,6	10,7	2511	1816	734	1,775
10H.1032.400	1032	400	14	11,6	4,1	561	450	241	1,218
10H.1032.600	1032	600	14	16,0	5,4	842	674	362	1,218
10H.1032.800	1032	800	14	20,4	6,6	1123	899	483	1,218
10H.1476.400	1476	400	20	16,6	5,9	774	613	319	1,277
10H.1476.600	1476	600	20	22,8	7,7	1161	920	479	1,277
10H.1476.800	1476	800	20	29,0	9,4	1548	1226	639	1,277
10H.2068.400	2068	400	28	23,2	8,2	1033	814	419	1,302
10H.2068.600	2068	600	28	31,9	10,7	1549	1222	628	1,302
10H.2068.800	2068	800	28	40,6	13,2	2065	1629	838	1,302
10H.2512.400	2512	400	34	28,1	10,0	1206	954	496	1,282
10H.2512.600	2512	600	34	38,7	13,0	1808	1431	744	1,282
10H.2512.800	2512	800	34	49,3	16,1	2411	1909	992	1,282



## Production Capability Table:

### Horizontal Versions:

Height (mm): 144-218-292-366-440-514-588-662-736-810-884

Length (mm): 400-500-600-700-800-900-1000-1100-1200-1300-1400-1500-1600-1700-1800-1900-2000-2100-2200-2300-2400-2500-2600

### Vertical Versions:

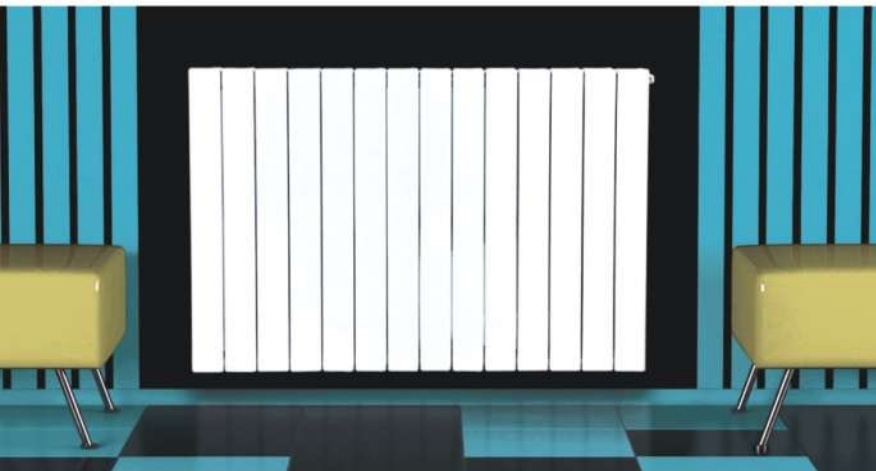
Height (mm): 144-218-292-366-440-514-588-662-736-810-884-958-1032-1106-1180-1254-1328-1402-1476-1550-1624-1698-1772-1846-1920-1994-2068-2142-2216-2290-2364-2438-2512-2586

Length (mm): 400-500-600-700-800-900

# TYPE 10

## PIANO

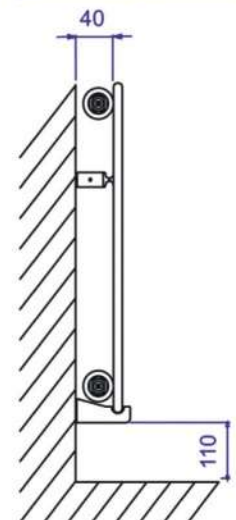
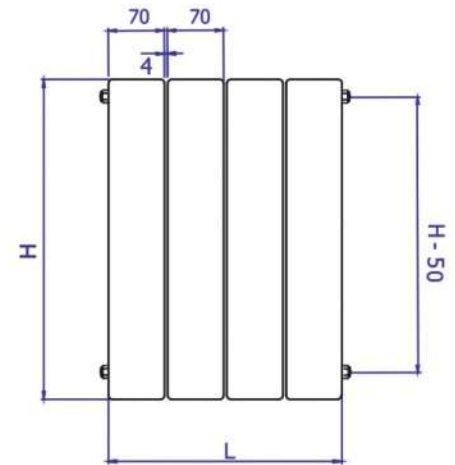
TYPE 10 is a decorative radiator with 70 x 11 mm tubes which are placed vertically on the front sides of 38 mm diameter collectors. The collectors are positioned horizontally on the top and bottom sides of the radiator. It is designed to satisfy your heat output needs with an elegant and thin touch. Depending on your aesthetic and ergonomic needs, you are welcome to choose from a wide selection from 2 to 35 elements and height from 400 mm to 2600 mm.



### TECHNICAL DATA

- STATE OF THE ART TECHNOLOGY SUPPLIED BY **LEAS**
- MADE FROM HIGH QUALITY STEEL
- COLLECTORS ARE MADE FROM 38 MM DIAMETER PIPES
- 70 X 11 MM ELEMENTS WITH ROUND EDGES
- LENGTH: BETWEEN 144 MM AND 2586 MM
- HEIGHT: BETWEEN 400 MM AND 2600 MM
- DURABLE AND HIGH QUALITY PAINTING: CATAPHORETIC PRIMER & ELECTROSTATIC POWDER PAINTING
- STANDARD COLOR: RAL 9016
- 10 YEAR WARRANTY
- WALL INSTALLATION KIT INCLUDED
- TESTED BY **HLK GERMANY**

Code	Height(H) (mm)	Length(L) (mm)	Number of Elements	Weight (kg)	Water Content(l)	Heat Output EN442 (Watt)			Exponent N
						90/70/20°C	75/65/20°C	55/45/20°C	
10V.400.292	400	292	4	3,4	1,3	192	151	78	1,306
10V.400.514	400	514	7	5,9	2,3	335	264	136	1,306
10V.400.1032	400	1032	14	11,6	4,6	671	529	271	1,306
10V.400.1476	400	1476	20	16,6	6,5	958	755	388	1,306
10V.400.2068	400	2068	28	23,2	9,1	1341	1057	543	1,306
10V.600.292	600	292	4	4,6	1,7	281	221	113	1,316
10V.600.514	600	514	7	8,0	3,0	492	387	198	1,316
10V.600.1032	600	1032	14	16,0	6,0	983	773	395	1,316
10V.600.1476	600	1476	20	22,8	8,5	1404	1105	564	1,316
10V.600.2068	600	2068	28	31,9	11,9	1966	1547	790	1,316
10V.800.292	800	292	4	5,9	2,1	367	288	146	1,325
10V.800.514	800	514	7	10,2	3,7	642	504	256	1,325
10V.800.1032	800	1032	14	20,4	7,3	1283	1008	512	1,325
10V.800.1476	800	1476	20	29,0	10,5	1833	1440	732	1,325
10V.800.2068	800	2068	28	40,6	14,7	2566	2015	1024	1,325
10V.1000.292	1000	292	4	7,1	2,5	449	352	178	1,335
10V.1000.514	1000	514	7	12,4	4,4	786	616	311	1,335
10V.1000.884	1000	884	12	21,2	7,5	1347	1056	534	1,335
10V.1500.292	1500	292	4	10,2	3,5	639	500	251	1,350
10V.1500.514	1500	514	7	17,9	6,1	1119	875	439	1,350
10V.1500.884	1500	884	12	30,6	10,5	1918	1500	752	1,350
10V.1800.292	1800	292	4	12,1	4,1	744	581	290	1,358
10V.1800.514	1800	514	7	21,1	7,1	1303	1017	508	1,358
10V.1800.884	1800	884	12	36,2	12,2	2233	1743	871	1,358
10V.2000.292	2000	292	4	12,4	4,5	809	632	317	1,349
10V.2000.514	2000	514	7	21,6	7,8	1415	1107	555	1,349
10V.2000.884	2000	884	12	37,0	13,4	2426	1897	952	1,349
10V.2400.292	2400	292	4	15,9	5,3	928	728	369	1,331
10V.2400.514	2400	514	7	27,7	9,2	1624	1274	645	1,331
10V.2400.884	2400	884	12	47,4	15,8	2783	2183	1106	1,331



### Production Capability Table:

#### Horizontal Versions:

Height (mm): 400-500-600-700-800-900

Length (mm): 144-218-292-366-440-514-588-662-736-810-884-958-1032-1106-1180-1254-1328-1402-1476-1550-1624-1772-1846-1920-1994-2068-2142-2216-2290-2364-2438-2512-2586

#### Vertical Versions:

Height (mm): 400-500-600-700-800-900-1000-1100-1200-1300-1400-1500-1600-1700-1800-1900-2000-2100-2200-2300-2400-2500-2600

Vertical (mm): 144-218-292-366-440-514-588-662-736-810-884

# TYPE 20

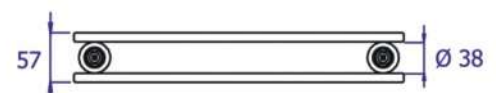
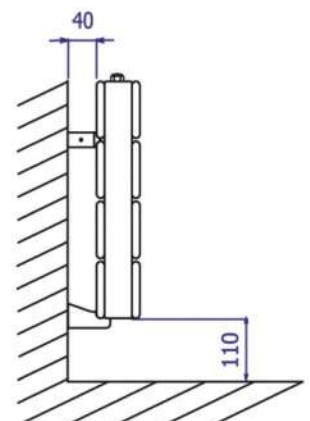
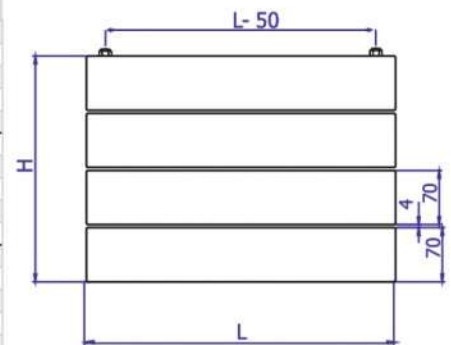
TYPE 20 is a decorative radiator with 70 x 11 mm tubes that are placed horizontally on the front and back sides of 38 mm diameter collectors. The collectors are positioned vertically on the right and left sides of the radiator. It is designed to provide sufficient heat outputs with a delicate and stylish look. Depending on your aesthetic and heat output needs, you are welcome to choose from a wide variety of products from 2 elements up to 35 elements and length from 400 mm up to 2600 mm.



### TECHNICAL DATA

- STATE OF THE ART TECHNOLOGY SUPPLIED BY LEAS
- MADE FROM HIGH QUALITY STEEL
- COLLECTORS ARE MADE FROM 38 MM DIAMETER PIPES
- 70 X 11 MM ELEMENTS WITH ROUND EDGES
- HEIGHT: BETWEEN 144 MM AND 2586 MM  
LENGTH: BETWEEN 400 MM AND 2600 MM
- MAX OPERATING PRESSURE: 4.5 BARS
- DURABLE AND HIGH QUALITY PAINTING: CATAPHORETIC PRIMER & ELECTROSTATIC POWDER PAINTING
- STANDARD COLOR: RAL 9016
- 10 YEAR WARRANTY
- WALL INSTALLATION KIT INCLUDED
- TESTED BY **HLK GERMANY**

Code	Height(H) (mm)	Length(L) (mm)	Number of Elements	Weight (kg)	Water Content(l)	Heat Output EN442 (Watt)			Exponent N
						90/70/20°C	75/65/20°C	55/45/20°C	
20H.218.600	218	600	3	6,3	2,2	349	280	151	1,210
20H.218.1000	218	1000	3	10,0	3,4	582	467	252	1,210
20H.218.1500	218	1500	3	14,7	4,9	874	701	378	1,210
20H.218.1800	218	1800	3	17,5	5,8	1048	841	453	1,210
20H.218.2400	218	2400	3	23,2	7,6	1398	1121	604	1,210
20H.366.600	366	600	5	10,4	3,7	521	418	226	1,204
20H.366.1000	366	1000	5	16,7	5,7	868	697	377	1,204
20H.366.1500	366	1500	5	24,5	8,1	1301	1045	565	1,204
20H.366.1800	366	1800	5	29,2	9,6	1562	1254	678	1,204
20H.366.2400	514	2400	7	38,5	12,6	2082	1672	904	1,204
20H.514.600	514	600	7	14,6	5,2	678	545	296	1,197
20H.514.1000	514	1000	7	23,3	7,9	1129	908	493	1,197
20H.514.1500	514	1500	7	34,2	11,4	1694	1362	739	1,197
20H.514.1800	514	1800	7	40,8	13,5	2033	1634	887	1,197
20H.514.2400	514	2400	7	53,9	17,7	2710	2179	1182	1,197
20H.662.600	662	600	9	18,7	6,6	825	664	361	1,190
20H.662.1000	662	1000	9	30,0	10,2	1375	1107	602	1,190
20H.662.1500	662	1500	9	44,0	14,7	2062	1660	904	1,190
20H.662.1800	662	1800	9	52,4	17,3	2475	1992	1084	1,190
20H.662.2400	662	2400	9	69,3	22,7	3300	2656	1446	1,190
20H.1032.400	1032	400	14	20,4	7,5	795	631	330	1,271
20H.1032.600	1032	600	14	29,1	10,3	1193	946	494	1,271
20H.1032.800	1032	800	14	37,8	13,1	1590	1262	659	1,271
20H.1476.400	1476	400	20	29,0	10,8	1064	844	441	1,270
20H.1476.600	1476	600	20	41,5	14,7	1596	1266	662	1,270
20H.1476.800	1476	800	20	54,0	18,7	2128	1688	883	1,270
20H.2068.400	2068	400	28	40,6	15,1	1414	1120	583	1,279
20H.2068.600	2068	600	28	58,1	20,6	2121	1680	874	1,279
20H.2068.800	2068	800	28	75,6	26,2	2828	2240	1166	1,279
20H.2512.400	2512	400	34	49,3	18,3	1682	1329	687	1,293
20H.2512.600	2512	600	34	70,5	25,1	2523	1993	1030	1,293
20H.2512.800	2512	800	34	91,7	31,8	3364	2658	1373	1,293



### Production Capability Table:

#### Horizontal Versions:

Height (mm): 144-218-292-366-440-514-588-662-736-810-884

Length (mm): 400-500-600-700-800-900-1000-1100-1200-1300-1400-1500-1600-1700-1800-1900-2000-2100-2200-2300-2400-2500-2600

#### Vertical Versions:

Height (mm): 144-218-292-366-440-514-588-662-736-810-884-958-1032-1106-1180-1254-1328-1402-1476-1550-1624-1698-1772-1846-1920-1994-2068-2142-2216-2290-2364-2438-2512-2586

Length (mm): 400-500-600-700-800-900

# TYPE 20

## PIANO

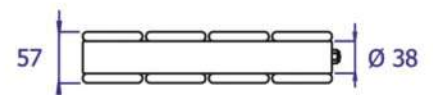
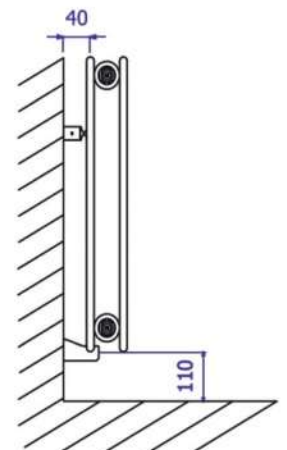
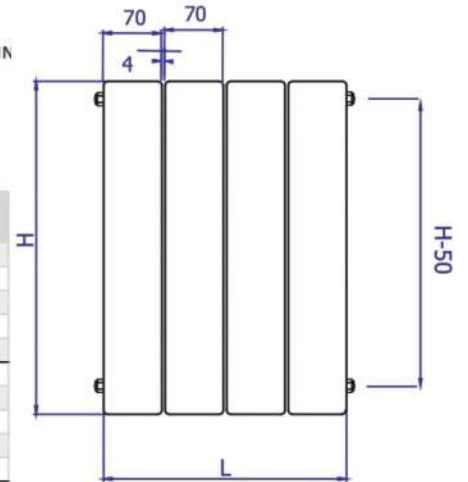
TYPE 20 is a decorative radiator with 70 x 11 mm tubes which are placed vertically on the front and back sides of 38 mm diameter collectors. The collectors are horizontally positioned on the top and bottom sides. It is designed for making your spaces warm and cozy by the looks of an artistic piano. Depending on your aesthetic and ergonomic needs, you are welcome to choose from a wide selection from 2 to 35 elements and height from 400 mm to 2600 mm.



### TECHNICAL DATA

- STATE OF THE ART TECHNOLOGY SUPPLIED BY **LEAS**
- MADE FROM HIGH QUALITY STEEL
- COLLECTORS ARE MADE FROM 38 MM DIAMETER PIPES
- 70 X 11 MM ELEMENTS WITH ROUND EDGES
- LENGTH: BETWEEN 144 MM AND 2586 MM
- DURABLE AND HIGH QUALITY PAINTING: CATAPHORETIC PRIMER & ELECTROSTATIC POWDER PAINTING
- STANDARD COLOR: RAL 9016
- 10 YEAR WARRANTY
- WALL INSTALLATION KIT INCLUDED
- TESTED BY **HLK GERMANY**

Code	Height(H) (mm)	Length(L) (mm)	Number of Elements	Weight (kg)	Water Content(l)	Heat Output EN442 (Watt)			Exponent N
						90/70/20°C	75/65/20°C	55/45/20°C	
20V.400.292	400	292	4	5,9	2,1	274	216	111	1,306
20V.400.514	400	514	7	10,2	3,8	479	378	194	1,306
20V.400.1032	400	1032	14	20,4	7,5	958	755	388	1,306
20V.400.1476	400	1476	20	29,0	10,8	1369	1079	554	1,306
20V.400.2068	400	2068	28	40,6	15,1	1916	1510	775	1,306
20V.600.292	600	292	4	8,4	2,9	401	316	161	1,316
20V.600.514	600	514	7	14,6	5,2	702	552	282	1,316
20V.600.1032	600	1032	14	29,1	10,3	1404	1105	564	1,316
20V.600.1476	600	1476	20	41,5	14,7	2006	1579	806	1,316
20V.600.2068	600	2068	28	58,1	20,6	2809	2210	1129	1,316
20V.800.292	800	292	4	10,9	3,7	524	411	209	1,325
20V.800.514	800	514	7	19,0	6,5	917	720	366	1,325
20V.800.1032	800	1032	14	37,8	13,1	1833	1440	732	1,325
20V.800.1476	800	1476	20	54,0	18,7	2619	2057	1045	1,325
20V.800.2068	800	2068	28	75,6	26,2	3666	2879	1463	1,325
20V.1000.292	1000	292	4	13,4	4,5	641	503	254	1,335
20V.1000.514	1000	514	7	23,3	7,9	1122	880	445	1,335
20V.1000.884	1000	884	12	39,9	13,6	1924	1508	763	1,335
20V.1500.292	1500	292	4	19,6	6,5	914	714	358	1,350
20V.1500.514	1500	514	7	34,2	11,4	1599	1250	627	1,350
20V.1500.884	1500	884	12	58,6	19,6	2741	2143	1075	1,350
20V.1800.292	1800	292	4	23,4	7,7	1063	830	415	1,358
20V.1800.514	1800	514	7	40,8	13,5	1861	1453	726	1,358
20V.1800.884	1800	884	12	69,9	23,1	3190	2491	1245	1,358
20V.2000.292	2000	292	4	25,8	8,5	1155	903	453	1,349
20V.2000.514	2000	514	7	45,2	14,9	2022	1581	793	1,349
20V.2000.884	2000	884	12	77,4	25,5	3466	2710	1360	1,349
20V.2400.292	2400	292	4	30,8	10,1	1325	1040	527	1,331
20V.2400.514	2400	514	7	53,9	17,7	2319	1819	922	1,331
20V.2400.884	2400	884	12	92,3	30,3	3976	3119	1580	1,331



### Production Capability Table:

**Horizontal Versions:**  
 Height (mm): 400-500-600-700-800-900  
 Length (mm): 144-218-292-366-440-514-588-662-736-810-884-958-1032-1106-1180-1254-1328-1402-1476-1550-1624-1698-1772-1846-1920-1994-2068-2142-2216-2290-2364-2438-2512-2586

**Vertical Versions:**  
 Height (mm): 400-500-600-700-800-900-1000-1100-1200-1300-1400-1500-1600-1700-1800-1900-2000-2100-2200-2300-2400-2500-2600  
 Vertical (mm): 144-218-292-366-440-514-588-662-736-810-884

# TYPE 21

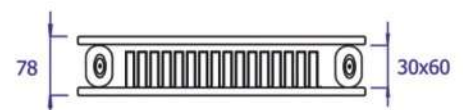
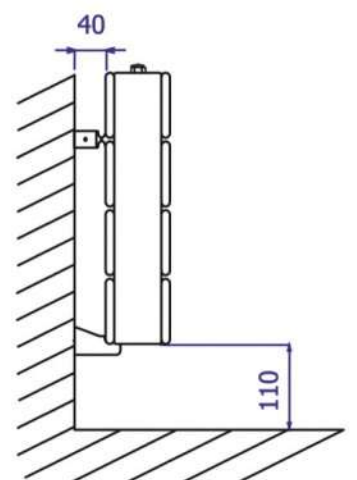
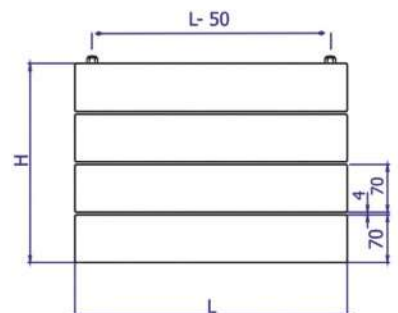
Type 21 is a decorative radiator with 70 x 11 mm tubes that are placed horizontally on the front and back sides of 30 x 60 mm diameter oval collectors. The collectors are positioned vertically on the right and left sides of the radiator. Convectors with a 50 mm height and 25 mm pitch are welded to increase the heating surface, thus the heat output is increased. It is designed to provide sufficient heat output with a fine look. Depending on your aesthetic and heat output needs, you are welcome to choose from a wide variety of products from 2 elements up to 35 elements and length from 400 mm up to 2600 mm.



## TECHNICAL DATA

- STATE OF THE ART TECHNOLOGY SUPPLIED BY LEAS
- MADE FROM HIGH QUALITY STEEL
- COLLECTORS ARE MADE FROM 38 MM DIAMETER PIPES
- 70 X 11 MM ELEMENTS WITH ROUND EDGES
- HEIGHT: BETWEEN 144 MM AND 2586 MM
- LENGTH: BETWEEN 400 MM AND 2600 MM
- DURABLE AND HIGH QUALITY PAINTING: CATAPHORETIC PRIMER & ELECTROSTATIC POWDER PAINTING
- STANDARD COLOR: RAL 9016
- 10 YEAR WARRANTY
- WALL INSTALLATION KIT INCLUDED
- TESTED BY HLK GERMANY

Code	Height(H) (mm)	Length(L) (mm)	Number of Elements	Weight (kg)	Water Content(l)	Heat Output EN442 (Watt)			Exponent N
						90/70/20°C	75/65/20°C	55/45/20°C	
21H.218.600	218	600	3	7,7	2,5	475	383	208	1,192
21H.218.1000	218	1000	3	12,5	3,8	792	638	347	1,192
21H.218.1500	218	1500	3	18,5	5,5	1188	956	520	1,192
21H.218.1800	218	1800	3	22,0	6,5	1426	1148	624	1,192
21H.218.2400	218	2400	3	29,2	8,5	1901	1530	832	1,192
21H.366.600	366	600	5	12,8	4,2	706	567	307	1,202
21H.366.1000	366	1000	5	20,8	6,4	1185	952	515	1,202
21H.366.1500	366	1500	5	30,7	9,2	1764	1417	767	1,202
21H.366.1800	366	1800	5	36,7	10,8	2117	1700	920	1,202
21H.366.2400	366	2400	5	48,7	14,1	2822	2267	1227	1,202
21H.514.600	514	600	7	17,9	5,9	900	723	391	1,205
21H.514.1000	514	1000	7	29,1	9,0	1532	1230	665	1,205
21H.514.1500	514	1500	7	43,0	12,8	2251	1807	976	1,205
21H.514.1800	514	1800	7	51,4	15,2	2701	2168	1171	1,205
21H.514.2400	514	2400	7	68,1	19,8	3602	2891	1562	1,205
21H.662.600	662	600	9	23,0	7,6	1080	867	467	1,209
21H.662.1000	662	1000	9	37,4	11,6	1849	1483	800	1,209
21H.662.1500	662	1500	9	55,3	16,5	2701	2166	1168	1,209
21H.662.1800	662	1800	9	66,1	19,5	3241	2600	1402	1,209
21H.662.2400	662	2400	9	87,6	25,4	4321	3466	1869	1,209
21H.1032.400	1032	400	14	24,7	8,7	1004	796	415	1,276
21H.1032.600	1032	600	14	35,8	11,8	1506	1193	622	1,276
21H.1032.800	1032	800	14	47,0	14,9	2008	1591	829	1,276
21H.1476.400	1476	400	20	35,2	12,5	1303	1032	537	1,279
21H.1476.600	1476	600	20	51,2	16,9	1954	1548	806	1,279
21H.1476.800	1476	800	20	67,1	21,3	2605	2064	1074	1,279
21H.2068.400	2068	400	28	49,3	17,5	1677	1322	678	1,307
21H.2068.600	2068	600	28	71,6	23,7	2516	1982	1017	1,307
21H.2068.800	2068	800	28	93,9	29,8	3354	2643	1356	1,307
21H.2512.400	2512	400	34	59,9	21,2	1951	1527	769	1,343
21H.2512.600	2512	600	34	86,9	28,7	2926	2290	1153	1,343
21H.2512.800	2512	800	34	114,0	36,2	3901	3054	1538	1,343



## Production Capability Table:

### Horizontal Versions:

Height (mm): 144-218-292-366-440-514-588-662-736-810-884  
 Length (mm): 400-500-600-700-800-900-1000-1100-1200-1300-1400-1500-1600-1700-1800-1900-2000-2100-2200-2300-2400-2500-2600

### Vertical Versions:

Height (mm): 144-218-292-366-440-514-588-662-736-810-884-958-1032-1106-1180-1254-1328-1402-1476-1550-1624-1698-1772-1846-1920-1994-2068-2142-2216-2290-2364-2438-2512-2586  
 Length (mm): 400-500-600-700-800-900

# TYPE 22

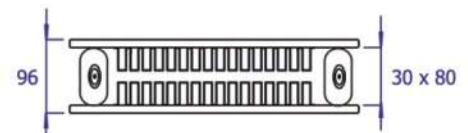
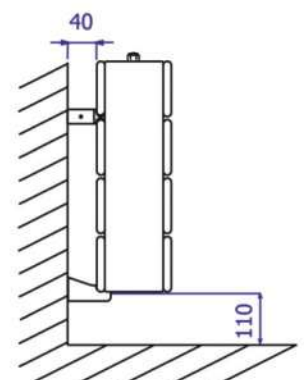
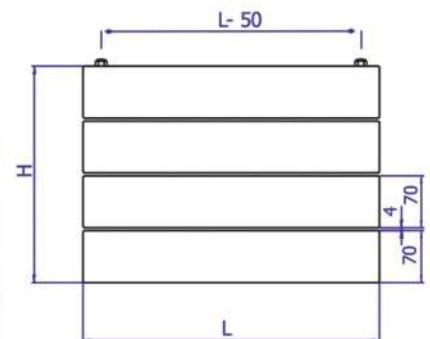
TYPE 22 is a decorative radiator with 70 x 11 mm tubes that are placed horizontally on the front and back sides of 30 x 80 mm diameter oval collectors. The collectors are positioned vertically on the right and left sides of the radiator. At the inner section of the tubes, convectors with a 32 mm height and 25 mm pitch are welded to increase the heating surface, thus the heat output is increased. It is designed to provide the maximum heat output with an exquisite look. Depending on your aesthetic and heat output needs, you are welcome to choose from a wide variety of products from 2 elements up to 35 elements and length from 400 mm up to 2600 mm.



## TECHNICAL DATA

- STATE OF THE ART TECHNOLOGY SUPPLIED BY **LEAS**
- MADE FROM HIGH QUALITY STEEL
- COLLECTORS ARE MADE FROM 38 MM DIAMETER PIPES
- 70 X 11 MM ELEMENTS WITH ROUND EDGES
- HEIGHT: BETWEEN 144 MM AND 2586 MM
- LENGTH: BETWEEN 400 MM AND 2600 MM
- DURABLE AND HIGH QUALITY PAINTING: CATAPHORETIC PRIMER & ELECTROSTATIC POWDER PAINTING
- STANDARD COLOR: RAL 9016
- 10 YEAR WARRANTY
- WALL INSTALLATION KIT INCLUDED
- TESTED BY **HLK GERMANY**

Code	Height(H) (mm)	Length(L) (mm)	Number of Elements	Weight (kg)	Water Content(l)	Heat Output EN442 (Watt)			Exponent N
						90/70/20°C	75/65/20°C	55/45/20°C	
22H.218.600	218	600	3	8,5	2,5	551	443	241	1,190
22H.218.1000	218	1000	3	13,7	3,7	974	784	427	1,190
22H.218.1500	218	1500	3	20,3	5,2	1462	1177	641	1,190
22H.218.1800	218	1800	3	24,2	6,1	1754	1412	769	1,190
22H.218.2400	218	2400	3	32,0	7,9	2338	1883	1025	1,190
22H.366.600	366	600	5	14,1	4,2	886	710	381	1,210
22H.366.1000	366	1000	5	22,8	6,2	1464	1174	633	1,210
22H.366.1500	366	1500	5	33,7	8,7	2196	1761	949	1,210
22H.366.1800	366	1800	5	40,2	10,2	2635	2113	1139	1,210
22H.366.2400	514	2400	7	53,3	13,2	3513	2818	1519	1,210
22H.514.600	514	600	7	19,7	5,9	1134	906	484	1,228
22H.514.1000	514	1000	7	31,9	8,7	1897	1517	810	1,228
22H.514.1500	514	1500	7	47,1	12,2	2846	2275	1215	1,228
22H.514.1800	514	1800	7	56,2	14,3	3415	2730	1458	1,228
22H.514.2400	514	2400	7	74,5	18,4	4554	3640	1944	1,228
22H.662.600	662	600	9	25,3	7,6	1361	1084	574	1,247
22H.662.1000	662	1000	9	40,9	11,2	2292	1826	966	1,247
22H.662.1500	662	1500	9	60,5	15,7	3438	2739	1448	1,247
22H.662.1800	662	1800	9	95,8	23,7	5501	4382	2317	1,247
22H.662.2400	662	2400	9	94,6	27,0	5393	4296	2272	1,247
22H.1032.400	1032	400	14	27,1	9,1	1230	985	529	1,219
22H.1032.600	1032	600	14	39,3	11,9	1846	1478	793	1,219
22H.1032.800	1032	800	14	51,5	14,7	2461	1971	1057	1,219
22H.1476.400	1476	400	20	38,7	13,0	1575	1255	663	1,248
22H.1476.600	1476	600	20	56,1	17,0	2363	1882	995	1,248
22H.1476.800	1476	800	20	73,4	21,0	3150	2509	1326	1,248
22H.2068.400	2068	400	28	54,1	18,3	1978	1562	806	1,296
22H.2068.600	2068	600	28	78,4	23,8	2967	2343	1208	1,296
22H.2068.800	2068	800	28	102,8	29,4	3956	3124	1611	1,296
22H.2512.400	2512	400	34	65,6	22,2	2251	1764	891	1,337
22H.2512.600	2512	600	34	95,2	28,9	3376	2645	1336	1,337
22H.2512.800	2512	800	34	124,8	35,7	4501	3527	1781	1,337



## Production Capability Table:

### Horizontal Versions:

Height (mm): 144-218-292-366-440-514-588-662-736-810-884

Length (mm): 400-500-600-700-800-900-1000-1100-1200-1300-1400-1500-1600-1700-1800-1900-2000-2100-2200-2300-2400-2500-2600

### Vertical Versions:

Height (mm): 144-218-292-366-440-514-588-662-736-810-884-958-1032-1106-1180-1254-1328-1402-1476-1550-1624-1698-1772-1846-1920-1994-2068-2142-2216-2290-2364-2438-2512-2586

Length (mm): 400-500-600-700-800-900



**IMAS** GROUP  
**REAL QUALITY MADE IN ITALY**

**NUOVA IMAS Srl**

31020 San Zenone degli Ezzelini (TREVISO) ITALY - Street Roma, 163 - Tel. +39 0423 968402 - Fax +39 0423 567216  
info@imasradiators.com - www.imasradiators.com